

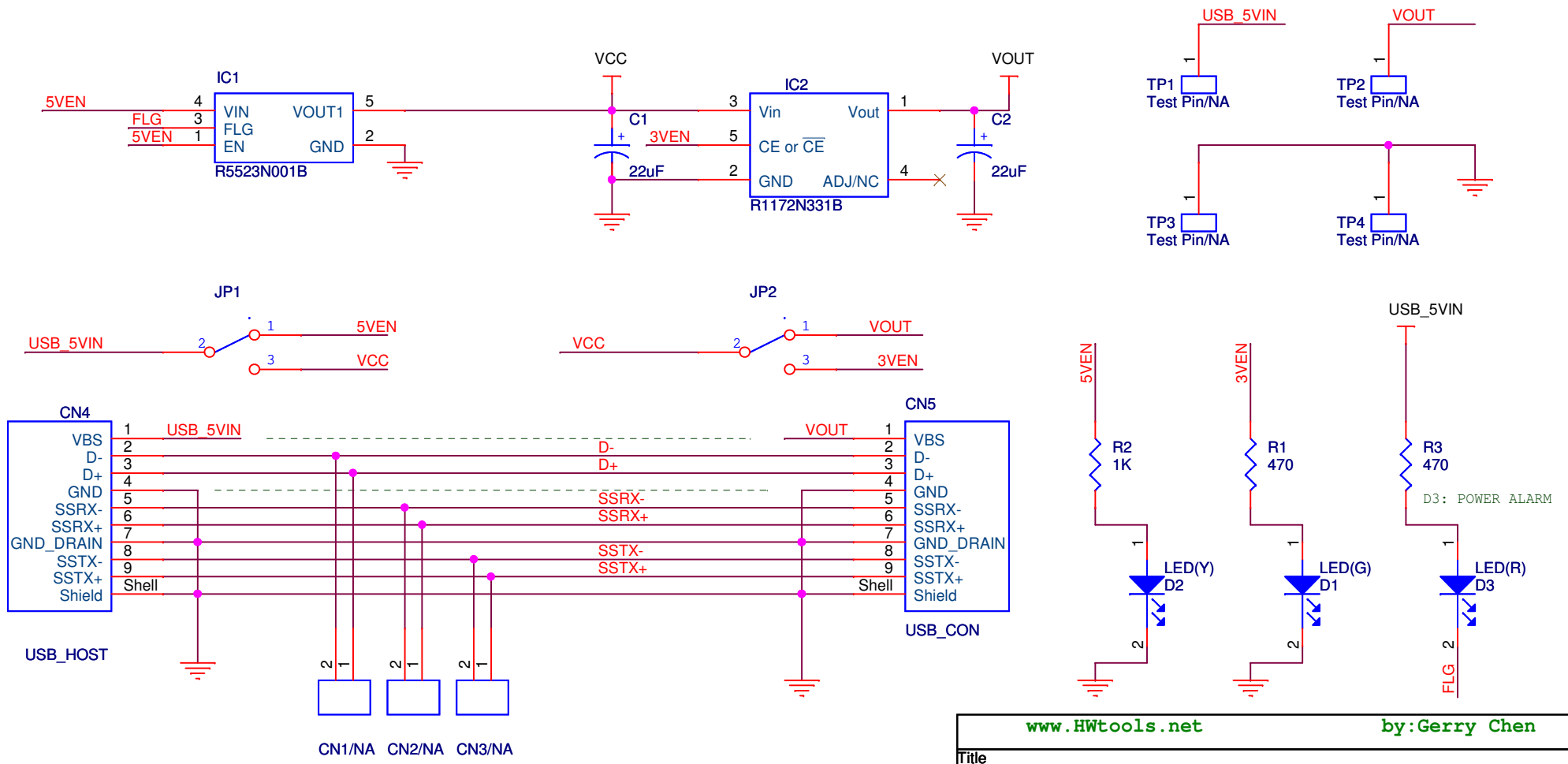
USB 3.0 Test Fixture board

Model: U3EX

History: Ver1.00 first release2008Apr13

History: Ver1.01 change IC1 PIN4 source2008May13

POWER	JP1, JP2	D1 , D2
5V protect	OUTPUT 1-2,1-2	OFF ON
3V protect	OUTPUT 1-2,2-3	ON ON
5V by PASS	OUTPUT 2-3,1-2	OFF OFF
3V by PASS	OUTPUT 2-3,2-3	ON OFF
NO POWER	OUTPUT NC ,NC	OFF OFF



Impedance control required for DP DN : 90ohm

www.HWtools.net by:Gerry Chen

Title		Model: U3EX		BPlus Technology Co., Ltd.	
Size	Document Number			Rev	
A	U3EX_Schematic			1.0	
Date:	Friday, May 15, 2009	Sheet	1	of	1