

# Model Name: PM3N

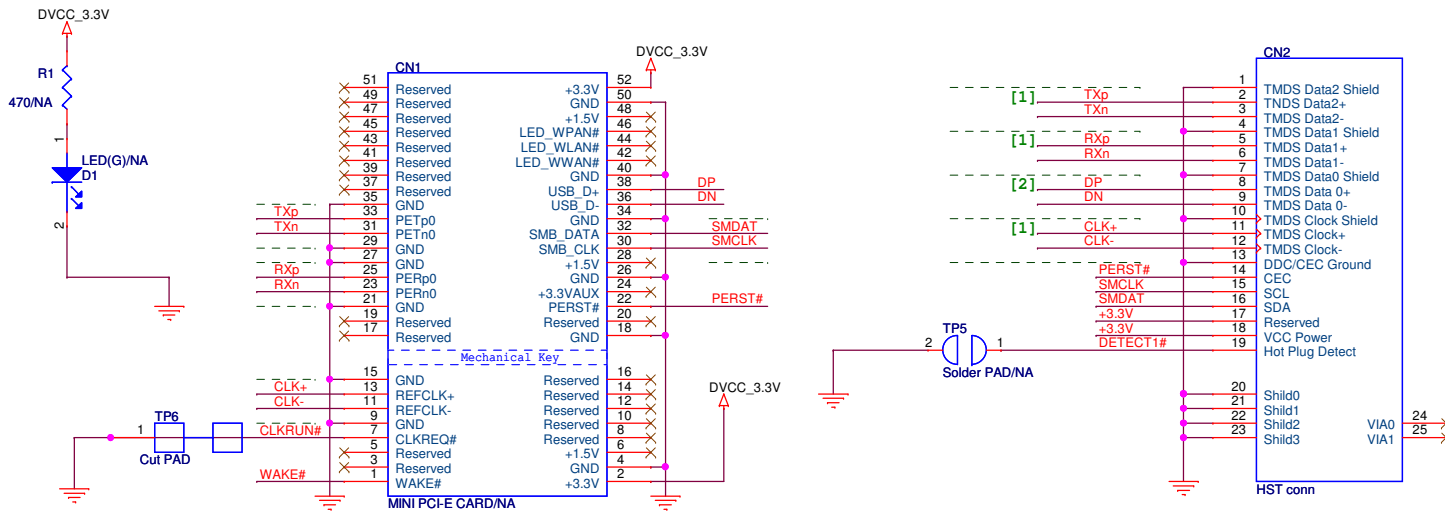
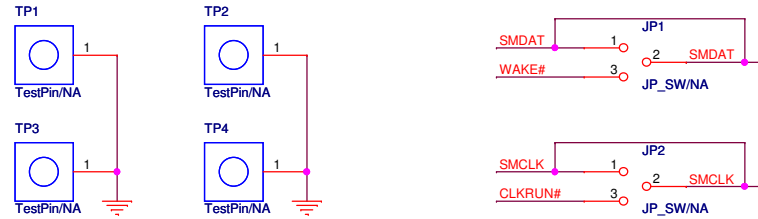
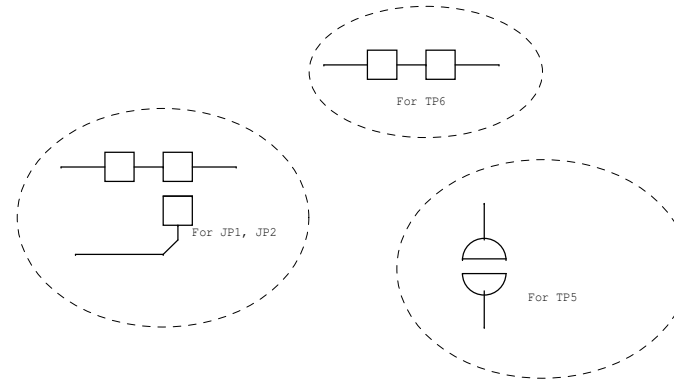
## Project Name: mPCIe to PCIe adapter

### Reference Schematic Rev. 1.00

Schematic update note:

First released.....2009/07/24 V1.00

### PCB Layout Guideline



Mini PCI-E Card

MINI HDMI conn

Title		mPCIe to PCIe adapter		Design by Gerry	
Size	Document Number	PCI Express MINI CARD		Bplus Technology Co., Ltd.	
B				Rev	1.0
Date:	Monday, August 03, 2009	Sheet	1	of	1