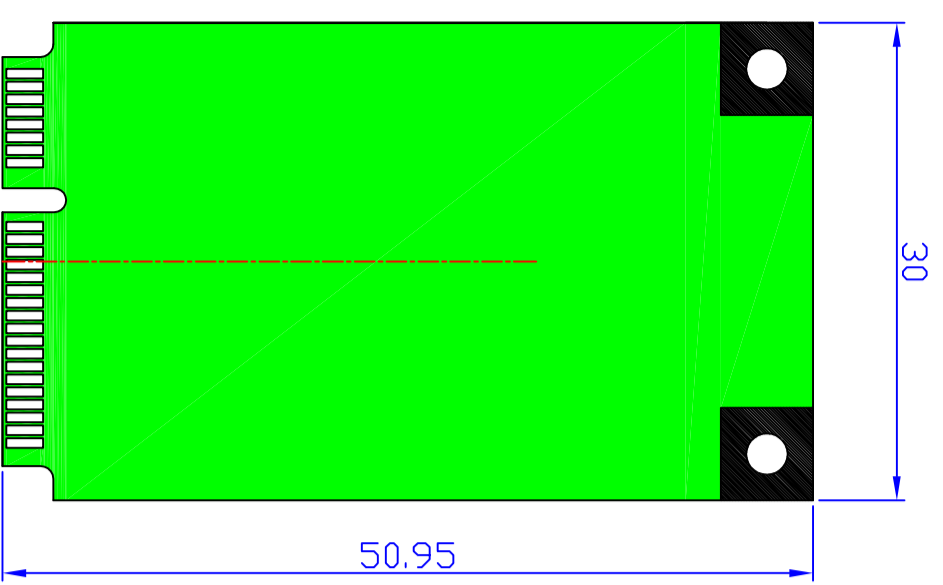


PCIe card / Mini-card adapter
PCI Express Mini Card Electromechanical Specification Revision 1.2
PCI Express Card Electromechanical Specification 1.1

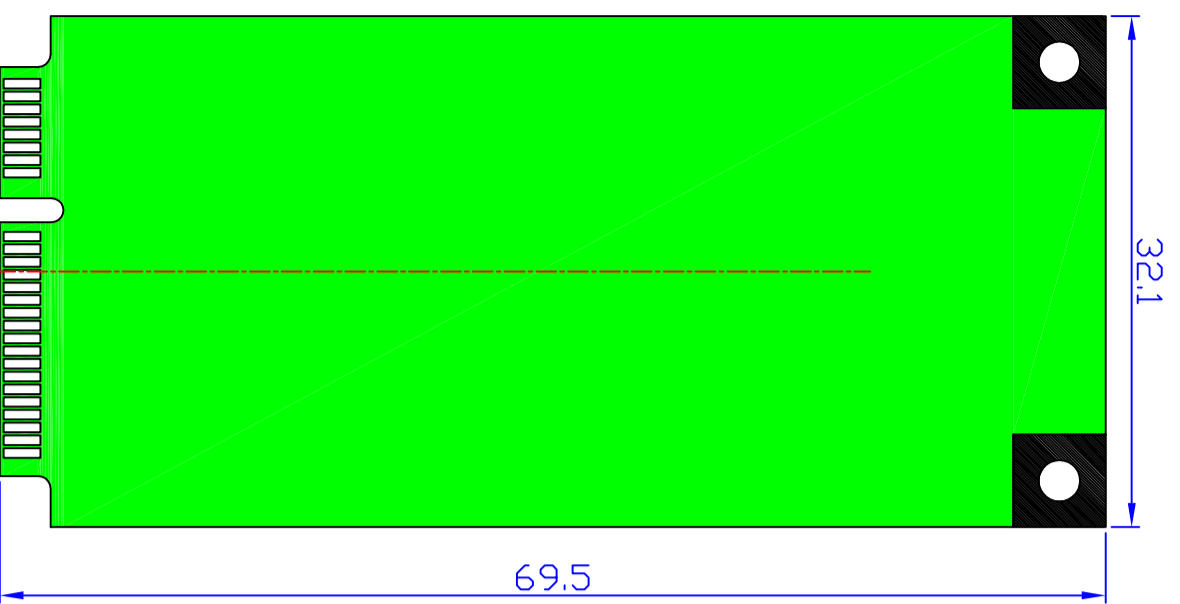
Standard Height PCI Express Add-in Card

Low Profile PCI Express Add-in Card

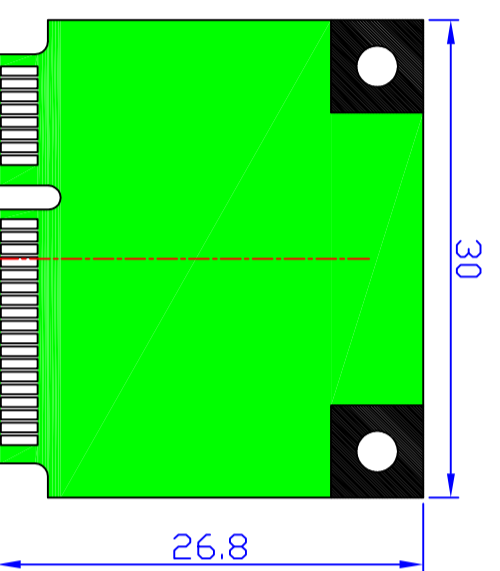
FR4 PCB 1.57 ± 0.1mm (1.6mm for PCB vendor)



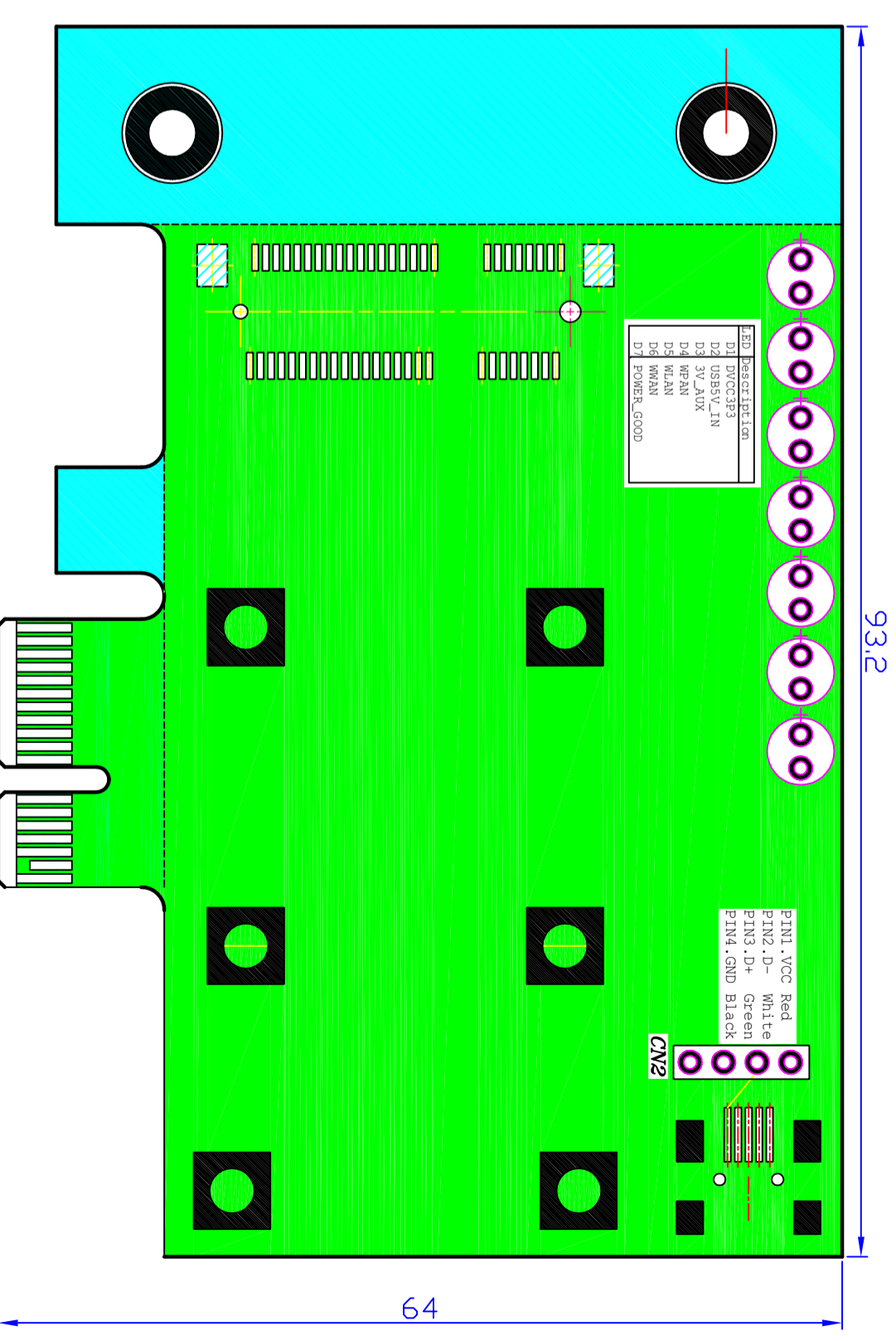
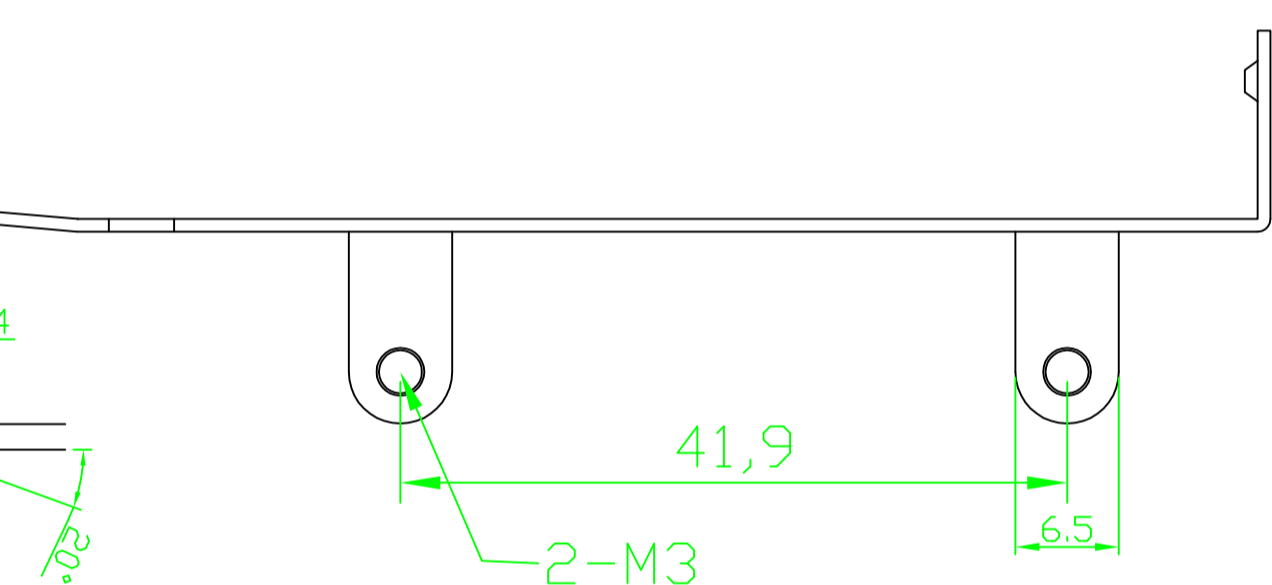
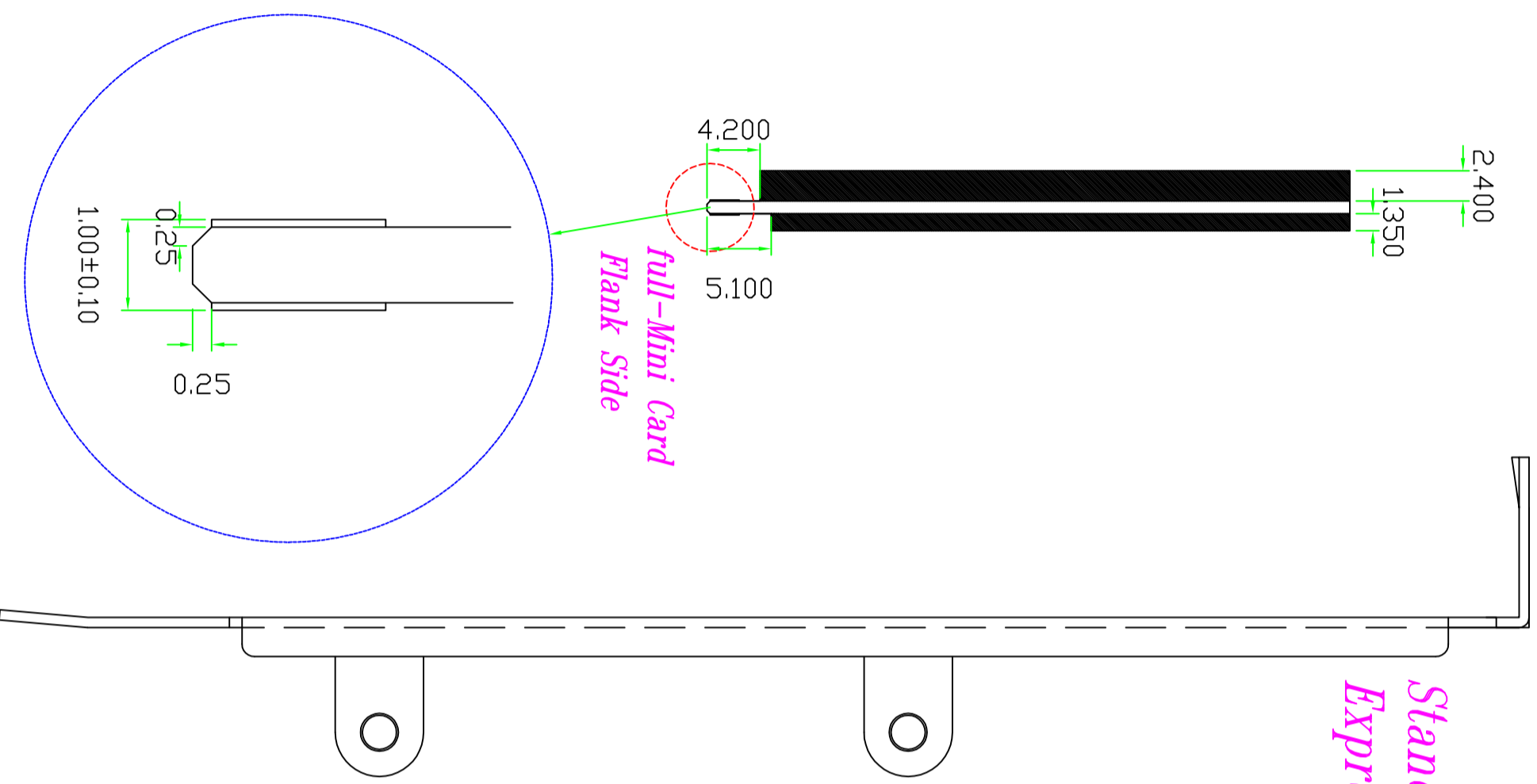
Full-Mini Card dimension



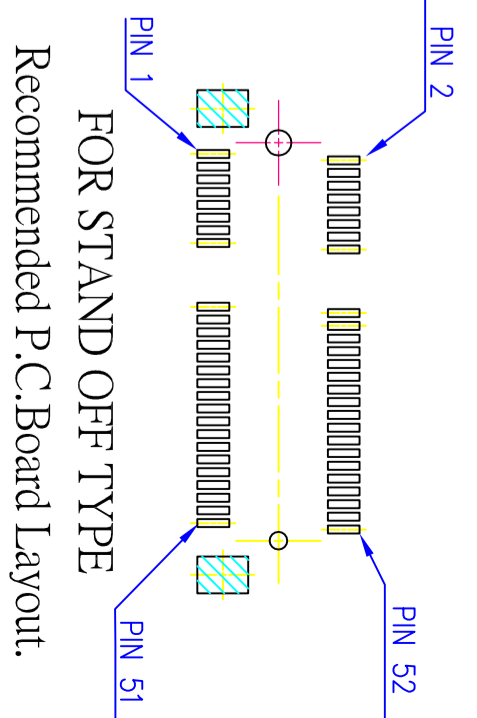
EEE-PC-Mini Card dimension



Half-Mini Card dimension



Secondary (Solder Side)
Primary (Component Side)



APPROVED:	- TOLERANCES -		UNIT:	TITLE :	SHEET
ENGINEER:	General	Angles	mm	Mini Card to PCI-E Adapter	1/1
CHECKED:	30~ ±0.25	0° ±3°	SCALE:	DRAWING NUMBER:	SIZE
DRAWN:	10~30 ±0.20	0.0° ±2°	1:1	G-MP2-PCBL	A4
	5~10 ±0.15			Date	REV.
	0~5 ±0.10			2009/Jan/17th	A/0