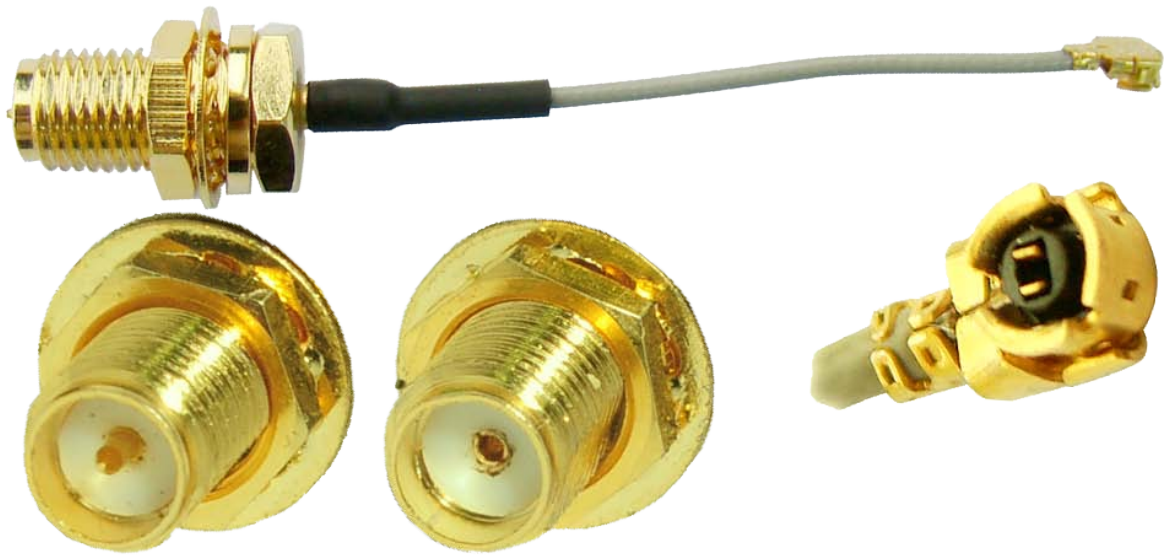
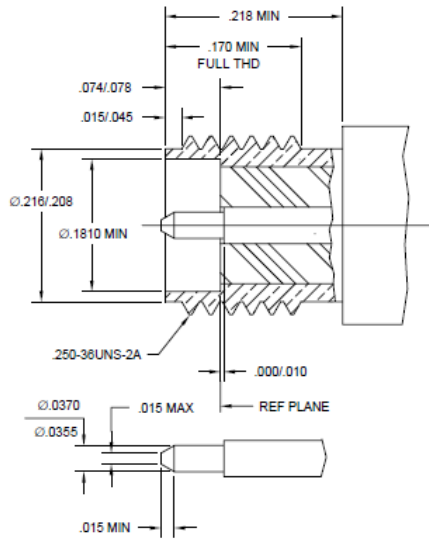


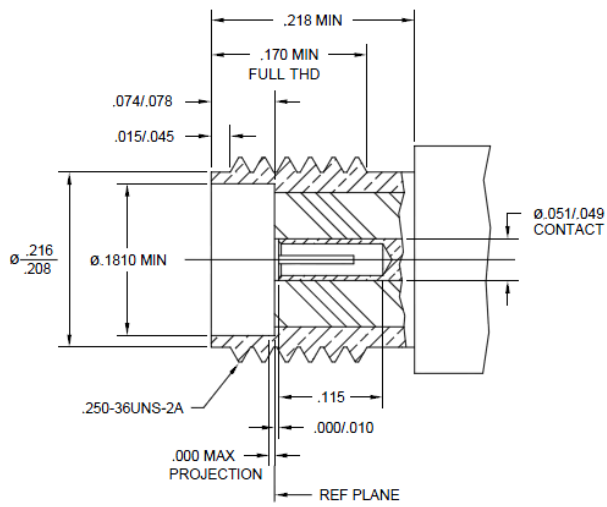
U.fl / IPX to RP SMA female pigtail for wifi network



1	Frequency Range	2400 - 2483 MHz / 5100 - 5900 MHz
2	Impedance	50 Ω
3	Connector (PCIE)	U.fl (IPX)
4	Connector	RP SMA female Plug with nut connector default SMA male Plug with nut connector
5	Optional Cable	1.13 cable default 1.37 cable RG178
6	Optional Length	1" (3cm) 2" (6cm) default 4" (10cm) 6" (15cm) 8" (20cm) 12" (30cm)



RP-SMA



SMA

U.fl (IPX)



u.FL/IPX (Mini-PCI) to RP-SMA pigtail WiFi RF cable adapter

This cable allows the use of external WiFi range extender antennas with internal laptop/notebook PCs, mini-PCI express WiFi cards, routers and access points.

Features

- u.FL/IPX to RP-SMA (F) Extension Cable
- Connects internal WiFi to external WiFi Booster Antenna
- Can be used with both indoor and outdoor antennas
- sold as a set of two cables so you will always have a spare
- Compatible with 802.11a, 802.11b, 802.11g, and 802.11n (2.4 GHz & 5.8 GHz)
- Lifetime unconditional warranty

Connect WiFi devices to antennas for range extension up to 200 feet (60m) indoors and up to 3 miles (5 Km) outdoors. Can be used with all types of antennas indoors, outdoors, at home, in the garden, and with RVs, cars, trucks, and boats. The cable is a quality machine-manufactured and fully-tested RF quality cable with a u.FL connector at one end and an RP-SMA (Female) threaded bulkhead at the other end.