

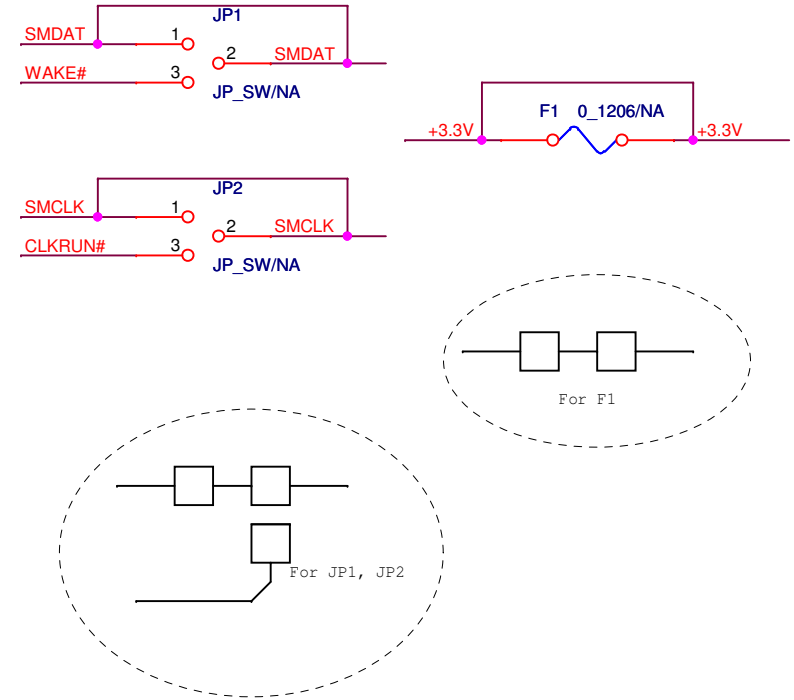
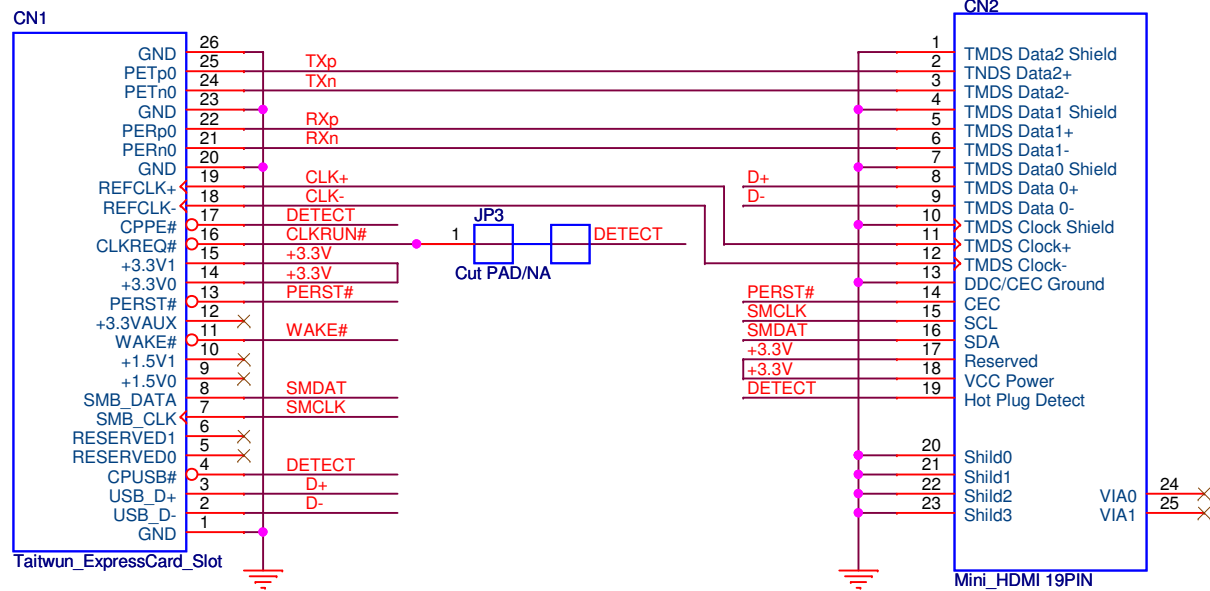
Model: EC2C

Reference Schematic Rev. 1.40

Schematic update note:

2008/Apr/20 V1.00

2009/Aug/30 V1.40



Title		
Expresscard adapter		
Size	Document Number	Rev
A4	EC2C	V1.2
Date:	Thursday, July 30, 2009	Sheet 1 of 3