

PACKAGES AND TAPING REELS INFORMATION

EP-027-0208

REAL-TIME CLOCK ICs LINE UP

Type of Product	Series	Part No.	Package	Reference
4-Wire Serial Interface (SPI)	Rx5C348	RS5C348A/B	10-pin SSOP	1.
		RV5C348A/B	10-pin SSOP-G	2.
3-Wire Serial Interface	RS5C313	RS5C313	8-pin SSOP	3.
	RS5C314	RS5C314	8-pin SSOP	3.
	RS5C316	RS5C316A/B	8-pin SSOP	3.
	RS5C321	RS5C321A/B	8-pin SSOP	3.
	RS5C317	RS5C317A/B	14-pin SSOP	4.
	Rx5C338	RS5C338A	10-pin SSOP	1.
		RV5C338A	10-pin SSOP-G	2.
RV5C339	RV5C339A	10-pin SSOP-G	2.	
2-Wire Serial Interface (I ² C bus)	RS5C372	RS5C372A/B	8-pin SSOP	3.
	RV5C386	RV5C386A	10-pin SSOP-G	2.
	RV5C387	RV5C387A	10-pin SSOP-G	2.

Ricoh product code information on lead-free plating products

In terms of products in this data book, there are two kinds of plating way to the pins.

In other words, they are lead-free plating and lead plating.

They can be distinguished with the last extension of the product code.

When you order our lead-free plating devices, please designate the last extension as the product code.

Product Name Example : In case of the extension is "-FB"

Lead plating product : RV5C348A-E2 etc.

Lead-free plating product : RV5C348A-E2-FB etc.

Meaning of the extension

-FB : Sn-Bi plating (Lead-free)

without last extension : Sn-Pb plating (as usual)

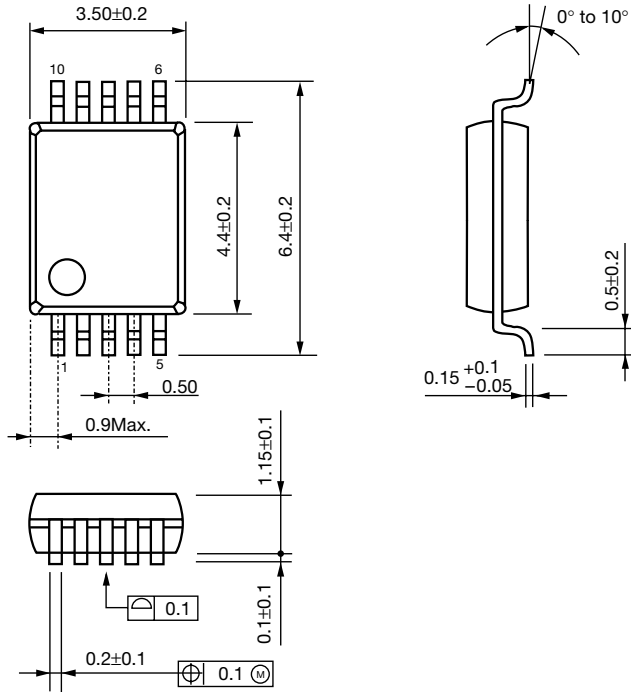
The composition of lead-free depends on the product series and packages.

Lead-free plating composition against our Real Time Clock as of April, 2002 is only Sn-Bi plating.

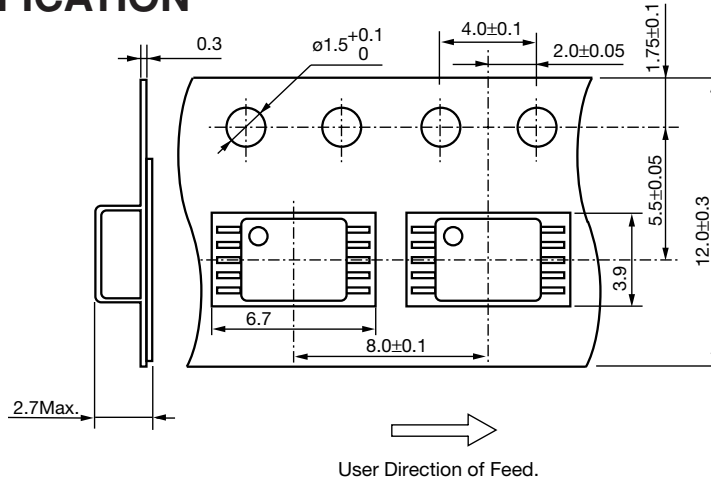
1. 10-pin SSOP

Unit:mm

PACKAGE DIMENSIONS

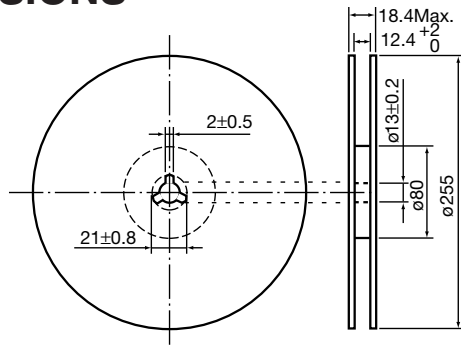


TAPING SPECIFICATION



TAPING REEL DIMENSIONS

(1reel=2000pcs)

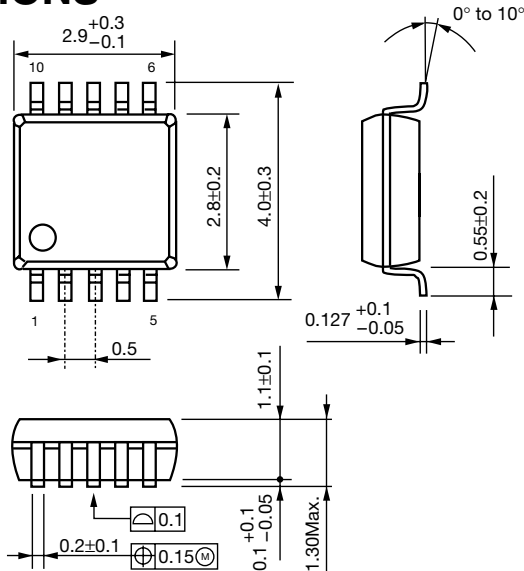


PACKAGES AND TAPING REELS INFORMATION

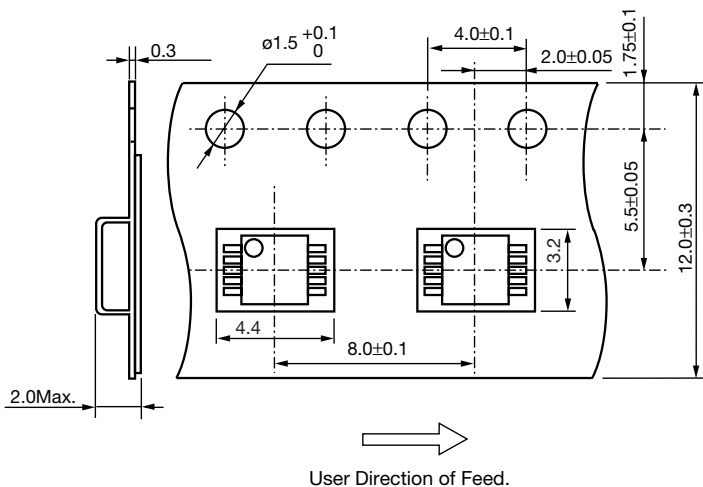
2. 10-pin SSOP-G

Unit:mm

PACKAGE DIMENSIONS

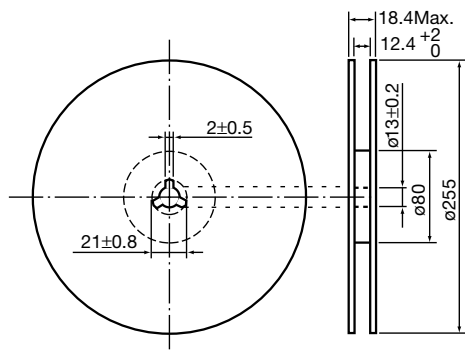


TAPING SPECIFICATION



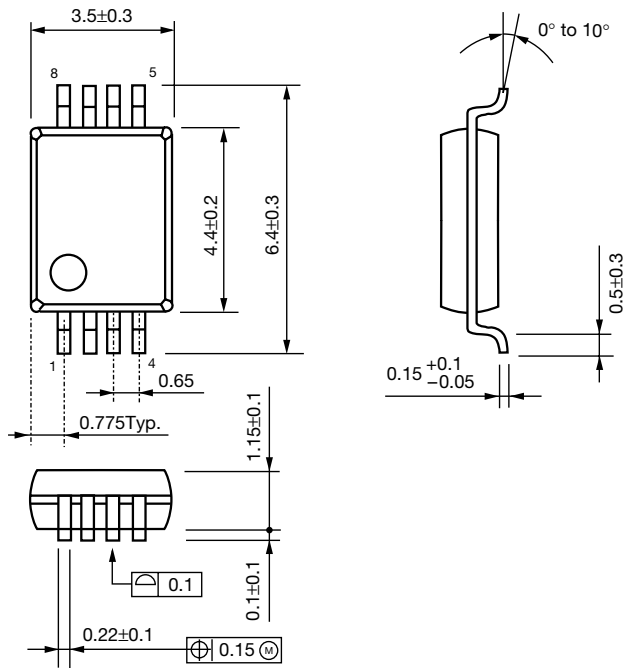
TAPING REEL DIMENSIONS

(1reel=2000pcs)

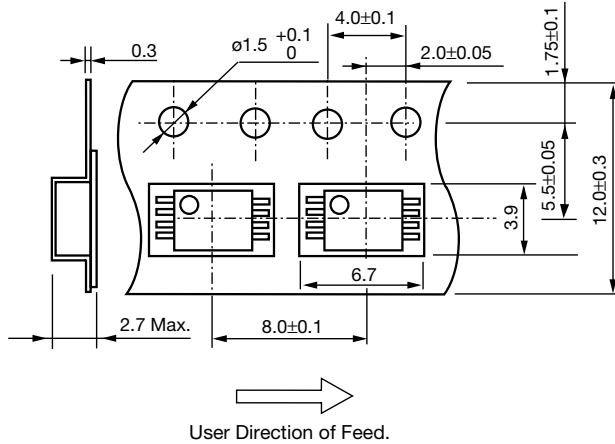


3. 8-pin SSOP
PACKAGE DIMENSIONS

Unit:mm



TAPING SPECIFICATION



TAPING REEL DIMENSIONS

(1reel=2000pcs)

